

Current Transformers

Key Features:

- Class 1 and Class 0.5 accuracy
- Insulation class E (120°C)
- Max case temperature 70°C
- Test Voltage 3kv 50Hz 1min
- Case material: Polycarbonate
- Compact design CT's
- Three Frame Sizes
- Fixed screw mounting
- Din Rail mounting (TCA21 and TCB26-30 only)
- Approvals to IEC60044.1



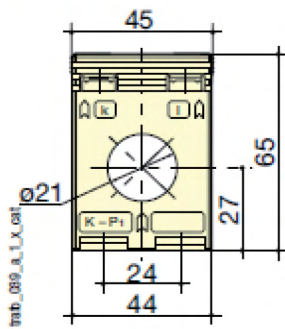
TECHNICAL DATA

Ratio	TCA21			TCB 26-30			TCB 44-50		
	Class 1	Class 0.5	Part No.	Class 1	Class 0.5	Part No.	Class 1	Class 0.5	Part No.
50/5	1VA		TCA21-50/5	1 VA		TCB26-30-50/5			
60/5	1.25VA		TCA21-60/5	1 VA		TCB26-30-60/5			
75/5	1.5VA		TCA21-75/5	1.5 VA		TCB26-30-75/5			
80/5	1.5VA		TCA21-80/5	2.5 VA		TCB26-30-80/5			
100/5		1.5VA	TCA21-100/5		1.5 VA	TCB26-30-100/5			
125/5		1.5VA	TCA21-125/5		1.5 VA	TCB26-30-125/5			
150/5		1.5VA	TCA21-150/5		1.5 VA	TCB26-30-150/5	1.5 VA		TCB44-50-150/5
200/5		2.5VA	TCA21-200/5		2.5 VA	TCB26-30-200/5	2.5 VA		TCB44-50-200/5
250/5		2.5VA	TCA21-250/5		5 VA	TCB26-30-250/5	5 VA		TCB44-50-250/5
300/5		5VA	TCA21-300/5		5 VA	TCB26-30-300/5	5 VA		TCB44-50-300/5
400/5					5 VA	TCB26-30-400/5	10 VA		TCB44-50-400/5
500/5					5 VA	TCB26-30-500/5	10 VA		TCB44-50-500/5
600/5					5 VA	TCB26-30-600/5	10 VA		TCB44-50-600/5
750/5							10 VA		TCB44-50-750/5
800/5							15 VA		TCB44-50-800/5
1000/5							15 VA		TCB44-50-1000/5

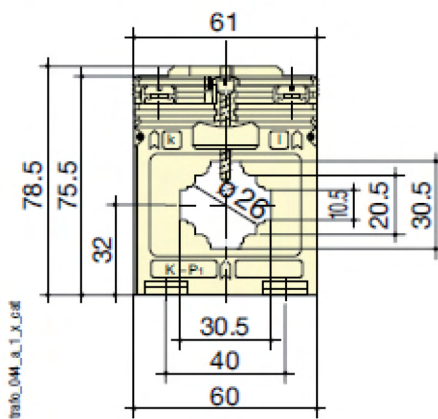
Current Transformers

DIMENSIONS

TCA 21



TCB 26-30 and T2CB 26-30



TCB 44-50

